



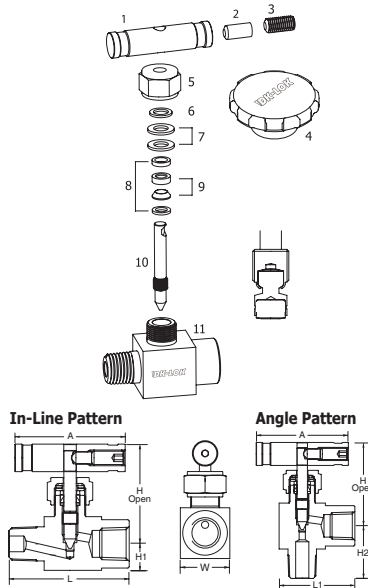
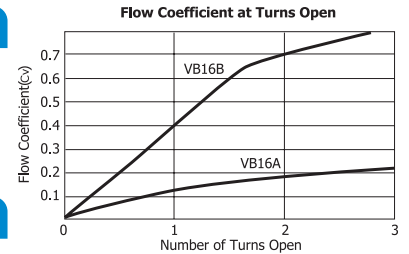
Features

Two-piece chevron PFA stem packing design with compensating spring packing.

- improves sealing integrity.
- high pressure valve but with compact design.

Flow Data

Cv are measured at the valve. Therefore restrictions at end connections may reduce flow.



Materials of Construction

| Components | Material Grade |
|---------------------------|-------------------------|
| 1 Bar Handle | SS316/ASTM A276 |
| 2 Position Pin | |
| 3 Set Screw | |
| 4 Optional Round Handle | Nylon with brass insert |
| 5 Cap Nut | SS316/ASTM A276 |
| 6 Gland | |
| 7 Spring Packing (2) | S17700/A693 |
| 8 Upper / Lower Gland (2) | SS316/ASTM A276 |
| 9 Chevron Packing (2) | PFA/D3307 |
| 10 Standard Vee Stem | SS316/ASTM A276 |
| 10.1 Optional Soft Stem | Kel-F (PCTFE) |
| 11 Body | SS316/ASTM A276 |

Pressure-Temperature Ratings

Temperature rating of VB16A & B series with nonrotating Kel-F soft seat -65 to 200 °F (-53 to 93 °C), Vee stem metal seat -65 to 450 °F (-53 to 232 °C). Non-rotating soft seat for repetitive shut-off on gas

| ASME Class | 2500 |
|------------------------|------------------------------|
| Material Group | 2.2 |
| Material | SS316 |
| Temperature °F (°C) | Working Pressure, psig (bar) |
| -65 to 100 (-53 to 37) | 6000 (413) |
| 200 (93) | 5160 (355) |
| 250 (121) | 4910 (338) |
| 300 (148) | 4660 (321) |

Ordering Information and Dimensions

| Ordering Number | End Connection | | Dimensions, mm(in.) | | | H2 | L | L1 | A | W |
|-----------------|---|--|------------------------|-------------|-------------|-------------|-------------|-------------|-------------|-------------|
| | | | Orifice/Cv | H | H1 | | | | | |
| VB16A- | D4T-S 1/4 in. DK-Lok | | 3.2 (0.125) Cv 0.21 | 43.1 (1.69) | 10.7 (0.42) | 29.5 (1.16) | 62.5 (2.46) | 39.9 (1.57) | 44.5 (1.75) | 21.6 (0.85) |
| | F4N-S 1/4 in. Female NPT | | | | | 25.4 (1.00) | 47.8 (1.88) | 36.6 (1.44) | | |
| | M4N-S 1/4 in. Male NPT | | | | | - | 49.3 (1.94) | - | | |
| | MF4N-S 1/4 in. Male 1/4 in. Female | | | | | 26.2 (1.03) | 48.5 (1.91) | 36.6 (1.44) | | |
| VB16B- | D6T-S 3/8 in. DK-Lok | | 6.4 (0.25) Cv 0.73 | 58.0 (2.28) | 16.8 (0.66) | - | 78.2 (3.08) | - | 64.0 (2.52) | 32.0 (1.26) |
| | D8T-S 1/2 in. DK-Lok | | | | | - | 83.8 (3.30) | - | | |
| | F6N-S 3/8 in. Female NPT | | | | | - | - | - | | |
| | F8N-S 1/2 in. Female NPT | | | | | 35.8 (1.41) | 63.5 (2.50) | 52.3 (2.06) | | |
| | MF6N-S 3/8 in. Male NPT 3/8 in. Female NPT | | | | | 31.0 (1.22) | | | | |
| | MF8N-S 1/2 in. Male NPT 1/2 in. Female NPT | | | | | 35.8 (1.41) | | | | |
| | MF12N8N-S 3/4 in. Male NPT 1/2 in. Female NPT | | | | | - | | | | |

Angle Pattern: Valves with L1 dimension available for Angle Pattern. * Round handle diameter. To order a valve with soft stem, insert -K in the ordering number. i.e., VB16A-D4T-K-S

Factory Test

Every valve is tested with the nitrogen @ 68 bar (1,000 psig) for leakage at the seat to a maximum allowance leak rate of 0.1 scc /min. The stem packing is tested for no detectable leakage.

Safe Valve Selection

The selection of a valve for any application or system design must be considered to ensure safe performance. Valve function, valve rating, material compatibility, proper installation, operation and maintenance Remain the sole responsibility of the system designer and the user. DK-Lok accepts no liability for any improper selection, installation, operation or maintenance.